

S-II CHAIR

The next generation synchronized patient chair

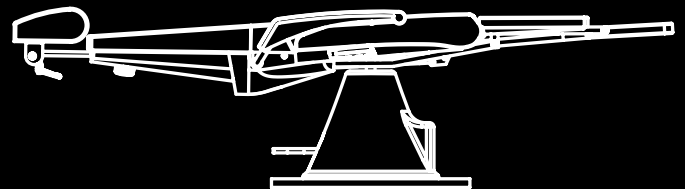


“The most functional chair for the money”

The backrest, armrests and the footrest are synchronized to give more comfortable support to the patient as the chair is reclined. In the event of a faint patient, this action may be performed more quickly than a motorized chair.

The S-II Chair is available in either a manual pump base or a motorized lift base, both allowing 360° rotation with lock.

Colors: Several designer colors are standard. Samples are available upon request.

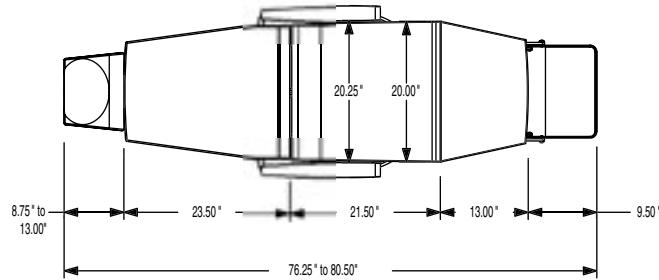
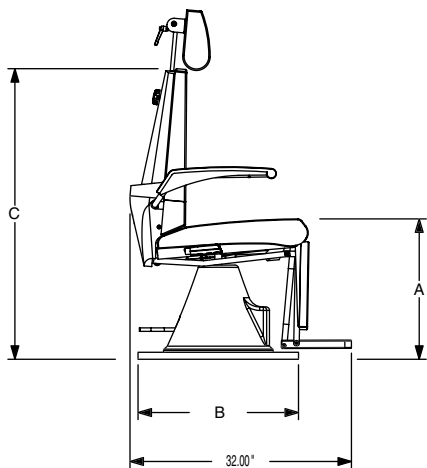


The S-II Chair reclines into a perfectly flat table. The adjustable headrest is completely removable and the armrests can be lifted out of the way in the seated position.

JEDMED
An Employee-Owned Company

5416 JEDMED Ct. • St. Louis, MO 63129 • (314) 845-3770 • FAX (314) 845-3771 • www.jedmed.com • info@jedmed.com

SPECIFICATIONS



04-1540
 JEDMED S-II Chair
 with Manual Pump Base
 A=19.5" to 27" B=26.75" C=41.25"

04-1545
 JEDMED S-II Chair
 with Motorized Lift Base, 110V
 A=20" to 28" B=23.00" C=41.50"

04-1547
 JEDMED S-II Chair
 with Motorized Lift Base, 220 V
 A=20" to 28" B=23.00" C=41.50"

OPTIONS & ACCESSORIES

Chair light kit 20" gooseneck
 with right angle
04-1590 110 volt
04-1591 220 volt



Double articulating headrest
 kit
04-1596



Child booster seat
04-1220



Standard motorized lift base
04-1332 110 V **04-1338** 220 V

Manual pump base (19.5" to 27.0")
04-1330



Desert Rose

Wedgewood

Taupe

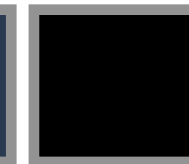
Forest

Ash

Plum

Cobalt

Black



** approx. colors shown above, color samples are available upon request*